

The logo for KAPHS, featuring a stylized red 'K' followed by the letters 'APHS' in a white serif font.

MIDDLE EAST

RINGMESH

# Ring Mesh

*Architectural metal ring mesh for partitions, screens, ceilings and cladding.*

# Contents

---

*A complete guide to the KAPHS RingMesh range — concept, applications, finishes, fixing systems and the full product library.*

<b>01</b>	Introduction	03
<b>02</b>	Product Description	04
<b>03</b>	Applications	06
<b>04</b>	Finishes	12
<b>05</b>	Fixing Systems	15
<b>06</b>	Product Range	20
<b>07</b>	Customisation	23
<b>08</b>	Contact	24

# Movement and texture, in linked metal.

---

KAPHS RingMesh is a contemporary architectural metal mesh crafted from precision-linked metal rings — a soft, flowing surface that responds to gravity, light and perspective.

*Designed primarily for interior environments — partitions, ceilings, decorative screens and cladding — and suited to selected exterior applications where openness and movement are essential.*

2

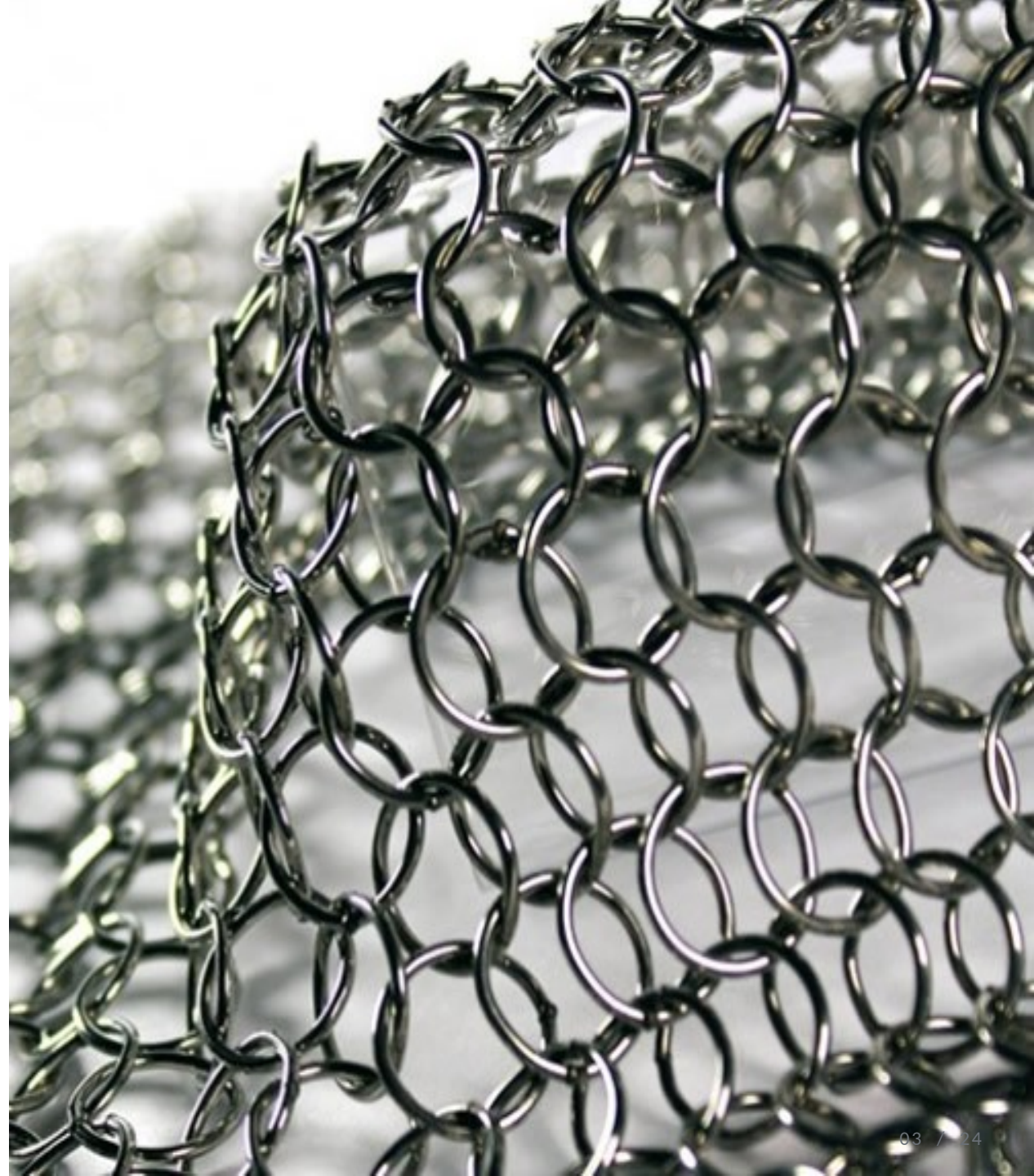
PRODUCTS

4

MATERIALS

∞

FINISHES



# 01 Product Description

*A contemporary architectural mesh built from precision-linked metal rings.*

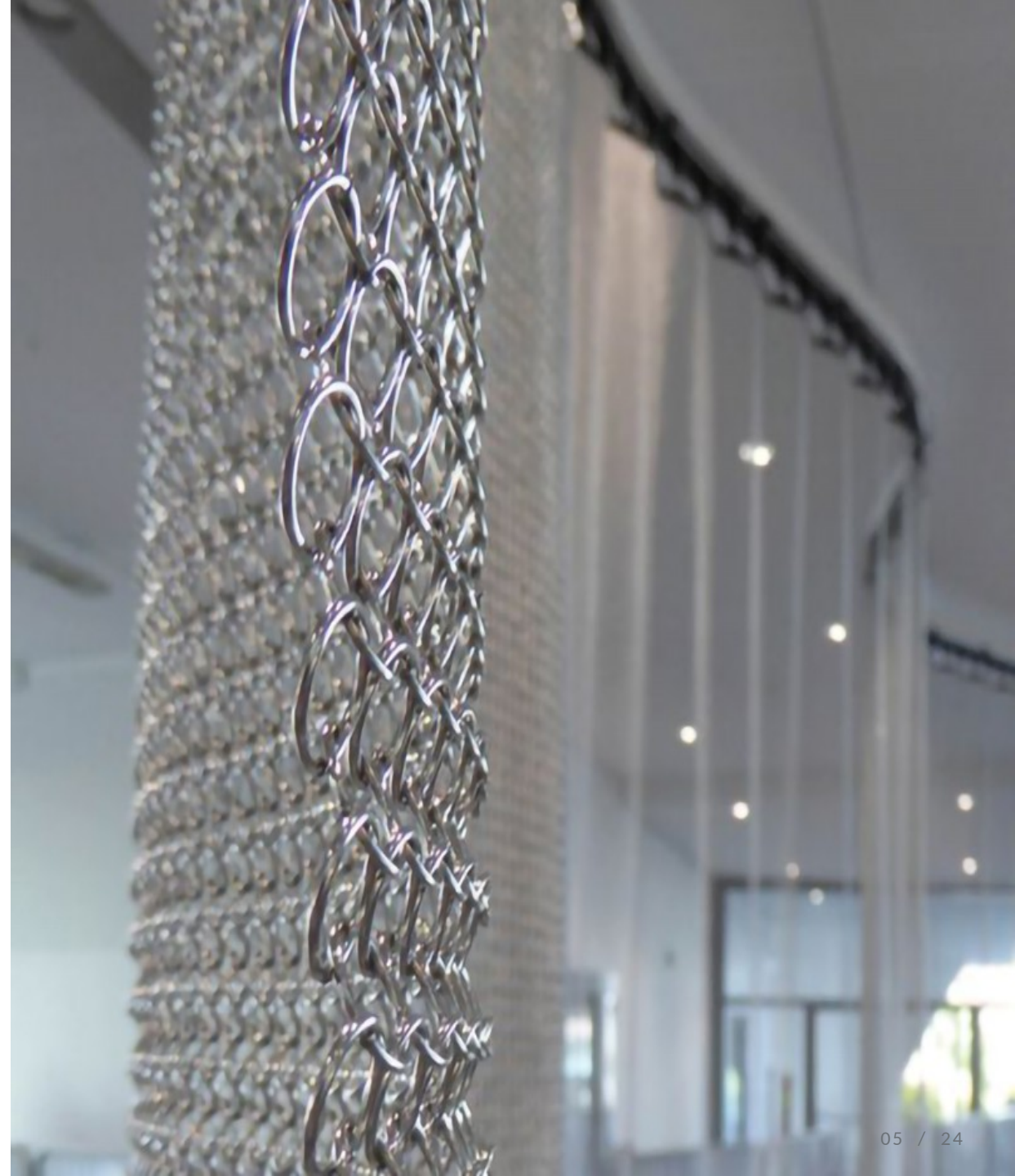
# Linked rings, flowing form.

---

## Engineered architectural ring mesh

KAPHS RingMesh — commonly referred to as Ring Mesh — is a contemporary architectural metal mesh system crafted from precision-linked metal rings. Designed with a focus on interior environments, it introduces a refined balance of openness, movement and metallic texture, while remaining suitable for selected exterior applications.

Unlike rigid mesh systems, RingMesh offers a soft, flowing structure that responds naturally to gravity, creating a dynamic surface that shifts with light and perspective — ideal for designers looking to add depth and visual interest without compromising spatial openness.



# 02 Applications

*Where RingMesh performs — partitions, screens, ceilings, cladding and façades.*



# Partitions & Space Dividers

---

*Define space without closing it.*

RingMesh is widely specified as a partition or space divider in interior environments. Its open, linked structure delineates zones without blocking light, sightlines or airflow — preserving spatial generosity while introducing texture and a soft metallic rhythm.

# Decorative Screens

---

*Texture, transparency and airflow.*

Used as a decorative screen, RingMesh adds depth and material richness to interiors. The flexible curtain-like fall of the mesh produces a soft visual surface that responds to movement and ambient light, while maintaining openness and ventilation across the screen plane.





# Ceiling Features

---

*Dynamic suspended installations.*

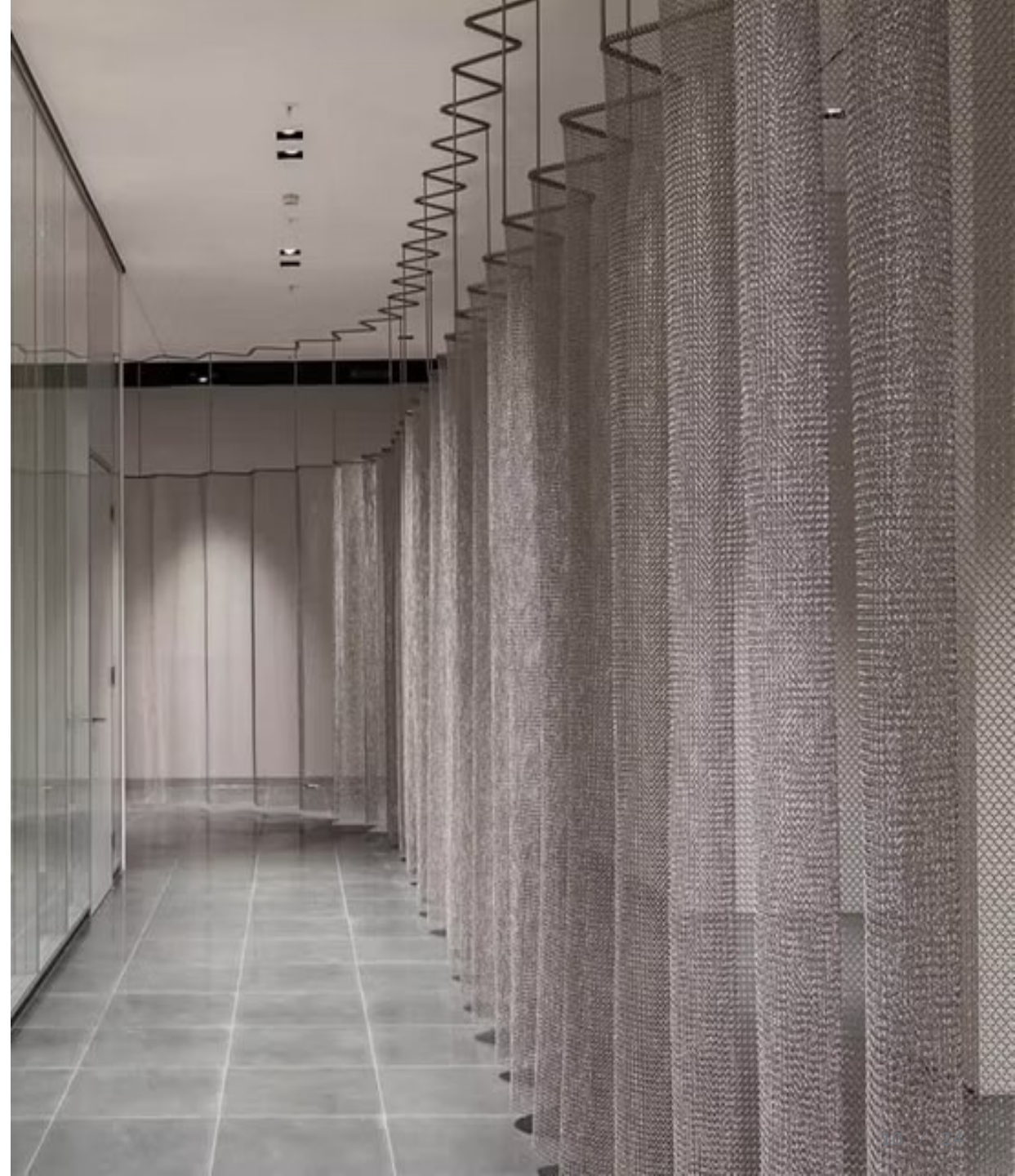
Suspended overhead, RingMesh forms expressive ceiling features that catch and diffuse light. The linked-ring structure can be tensioned flat or allowed to drape, supporting both architectural and sculptural installations in retail, hospitality and commercial interiors.

# Wall Cladding & Feature Panels

---

*A modern metallic surface.*

Applied to walls and feature panels, RingMesh delivers a refined metallic finish with depth and tactility. The mesh works as a stand-alone surface or as an overlay to coloured or backlit substrates, introducing pattern, shadow and a contemporary architectural language.





# Façade & Screening

---

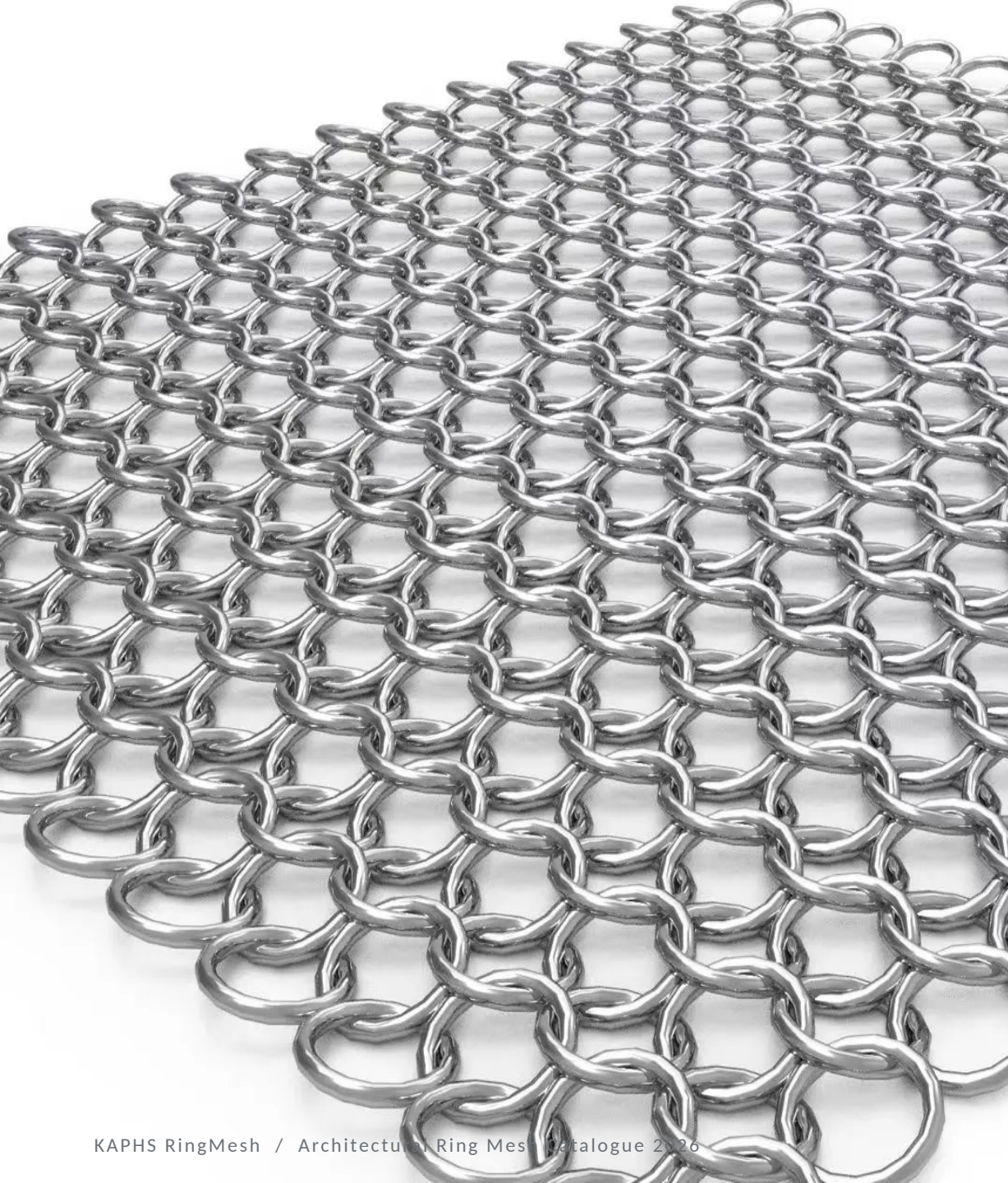
*Lightweight visual screening and shading.*

For selected exterior applications, RingMesh provides lightweight visual screening, solar shading and a layered façade expression. Its open structure reduces wind and weight loads on supporting structures while delivering a distinctive architectural identity to the building envelope.

# 03

# Finishes

*Two principal finishing routes — clarity of material, depth of colour.*



## Natural Metallic

---

*Polished or matte — the raw character of metal.*

The natural metallic finish highlights the inherent character of the base material — stainless steel, bronze, copper or brass. Specified in polished or matte form, it offers either a clean, reflective surface or a softer, light-absorbing finish, depending on the desired interior atmosphere.

# PVD Coating

---

*Premium colour, enhanced durability.*

PVD (Physical Vapour Deposition) coating delivers a high-performance metallic finish, available in a curated palette of consistent colours. Beyond appearance, PVD provides enhanced durability and resistance to wear — extending the visual and functional lifespan of the mesh.



# 04 Fixing Systems

*Four principal fixing systems — for structural confidence and design flexibility.*

# Hook Chain & Rod

---

*Suspended, curtain-like installation.*

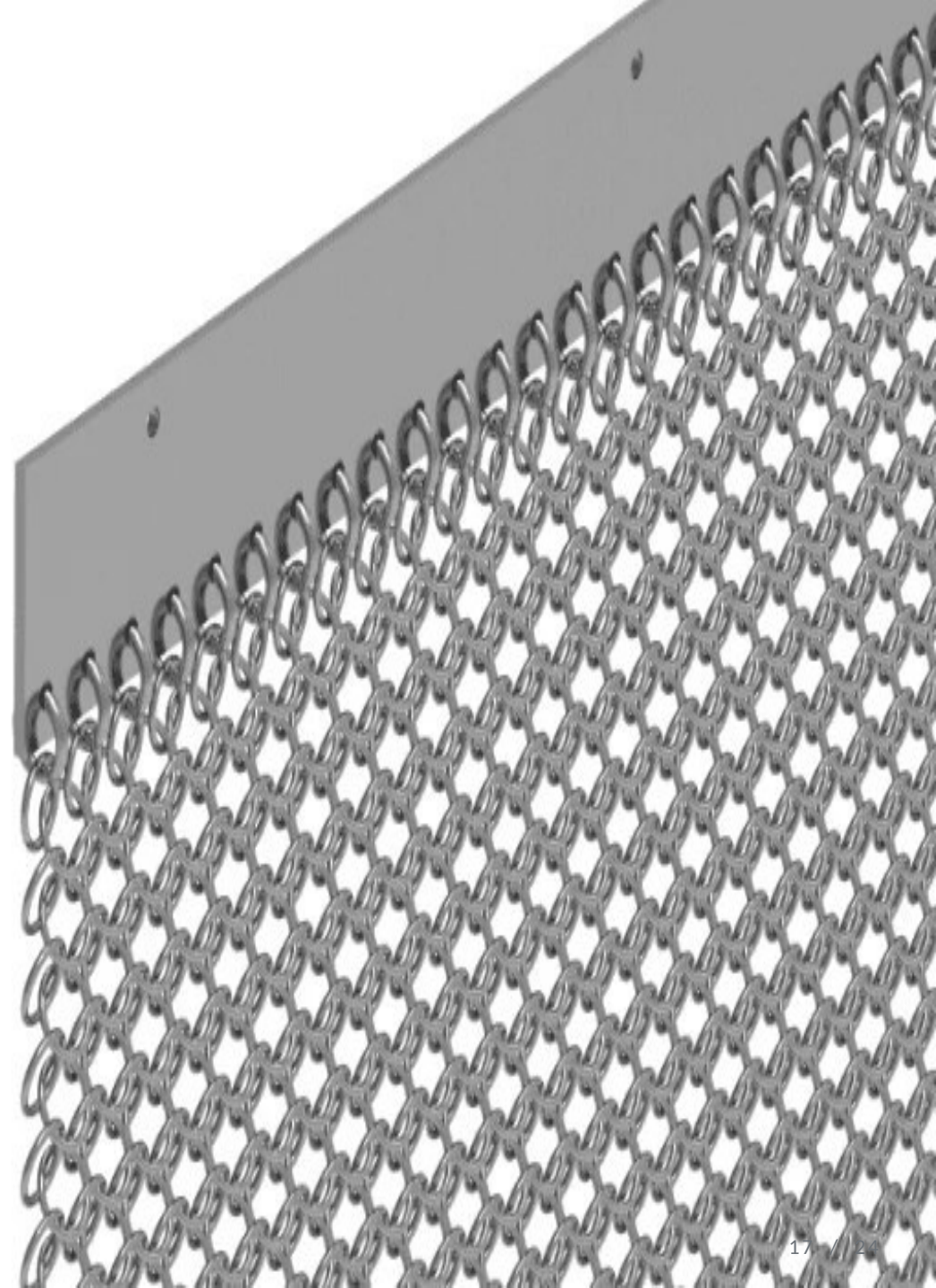
Mesh panels are suspended from a metal rod using hook chains, allowing smooth movement and a flowing, curtain-like installation. The system is ideal for ceiling drops, vertical drapes and partitions where soft articulation of the mesh is desired.

# Hook Profile

---

*Clean, linear top support.*

Rings are directly fixed into a continuous hook profile, creating a clean and linear top edge. This method delivers a precise architectural detail at the head of the mesh, ideal for ceilings, soffits and structured partitions where alignment is critical.



## Plate & Side Rail

---

*Structured panel installation.*

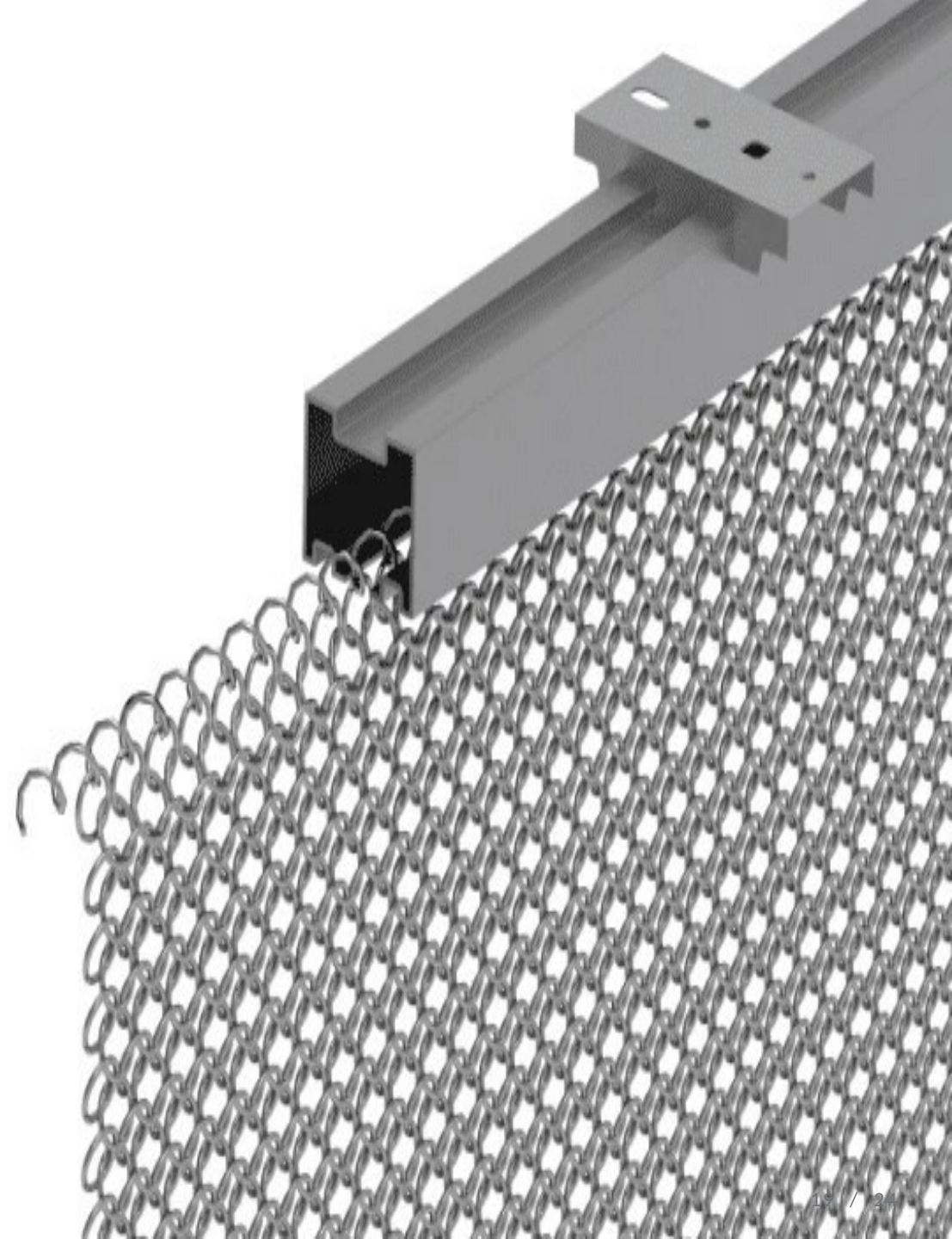
The mesh is secured within rigid panels using top plates and side rails, producing a more structured and contained installation. This method suits feature walls, cladding panels and applications where the mesh is framed and held under controlled tension.

# Track System



*Sliding, operable mesh panels.*

Integrated track profiles enable sliding or operable mesh panels for flexible space division. The system combines the visual openness of RingMesh with practical adaptability — allowing spaces to be opened, divided or reconfigured as needed.



# 05

# Product Range

*Two signature RingMesh products — selected for scale, density and visual character.*

RINGMESH

# Orbit

RING DIAMETER

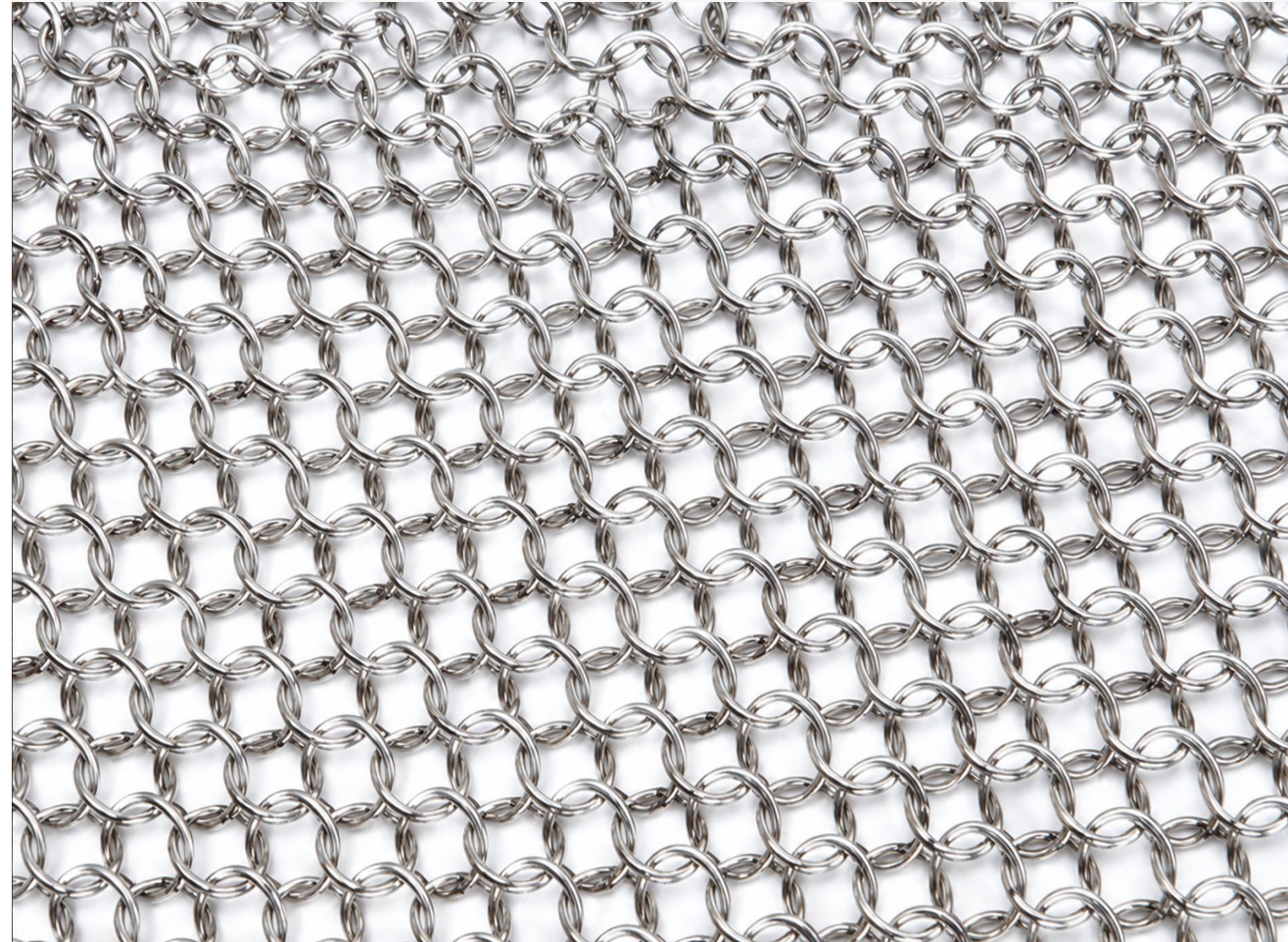
**Ø 12.0 mm**

OPEN AREA

**approx. 63%**

AVAILABLE SPECIFICATIONS

Material	Wire Gauge	Weight	Rings / LM
Stainless Steel	1.10 mm	approx. 3.06 kg/m <sup>2</sup>	83



RINGMESH

# Flow

RING DIAMETER

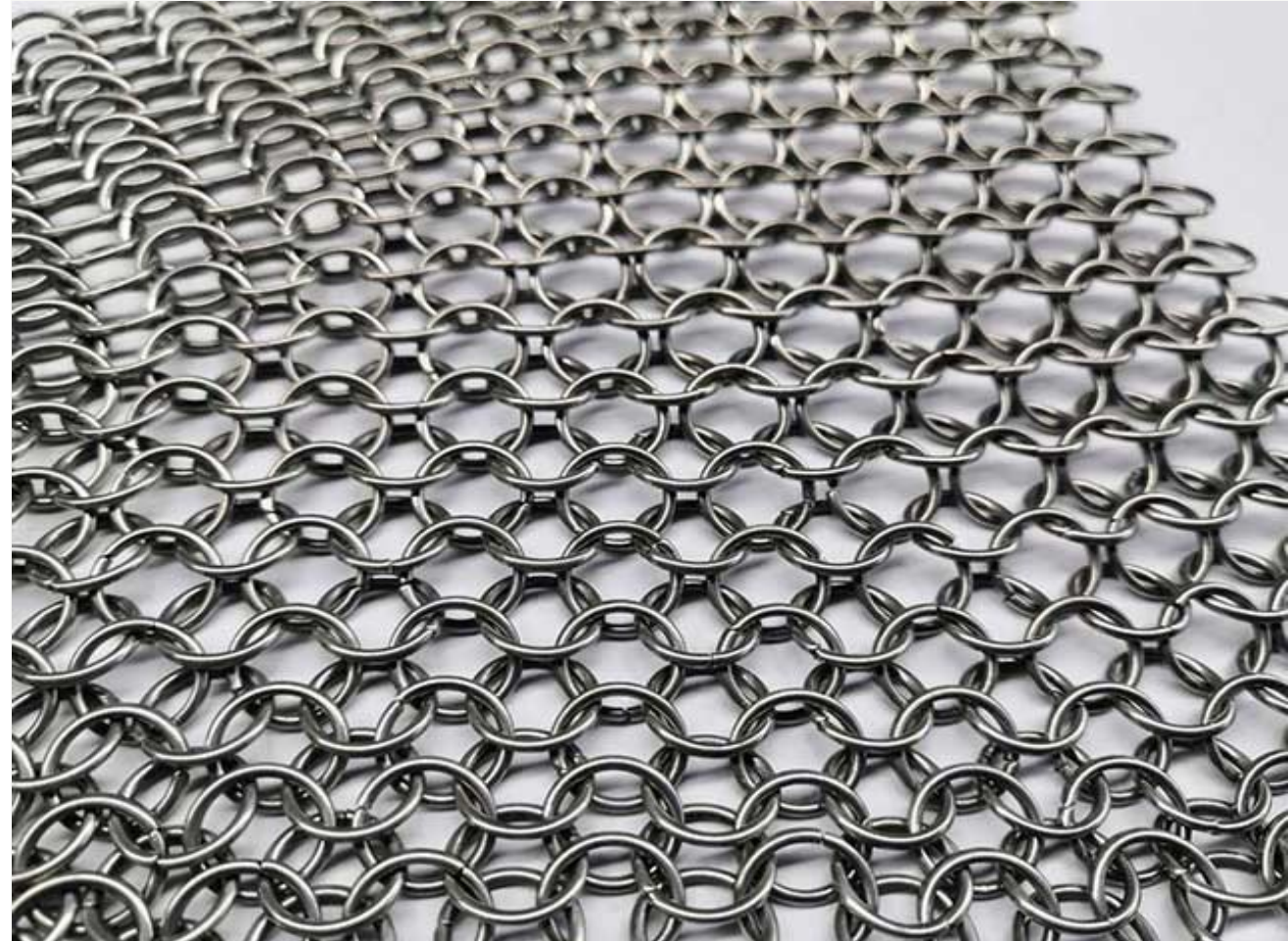
**Ø 7.0 mm**

OPEN AREA

**approx. 60%**

AVAILABLE SPECIFICATIONS

Material	Wire Gauge	Weight	Rings / LM
Stainless Steel	0.70 mm	approx. 2.2 kg/m <sup>2</sup>	143



# Built to specification.

---

*Each RingMesh product can be specified in a range of metals, ring diameters and finishes — with custom panel sizes engineered to the architectural intent of the project.*

## Materials

- Stainless steel
- Bronze
- Copper
- Brass

## Ring options

- Ø 7.0 mm (Flow)
- Ø 12.0 mm (Orbit)
- Custom diameters
- Custom densities

## Panel sizes

- Standard panels
- Cut-to-size
- Curtain drops
- Custom geometries

## Finishes

- Natural — polished
- Natural — matte
- PVD coated
- Custom colours



MIDDLE EAST

GET IN TOUCH

# Let's specify your next interior surface.

OFFICE

---

**KAPHS Middle East Building Materials Trading LLC**

Office 1701, Tower A, Prime Business Centre

Jumeirah Village Circle, Dubai, UAE

CONTACT

---

**+971 4 554 2145**

[sales@kaphsgroup.com](mailto:sales@kaphsgroup.com)

[kaphsgroup.com](http://kaphsgroup.com)