

LISUS[®]

DESIGN • ENGINEERING • MANUFACTURING

D & F Series poolfence

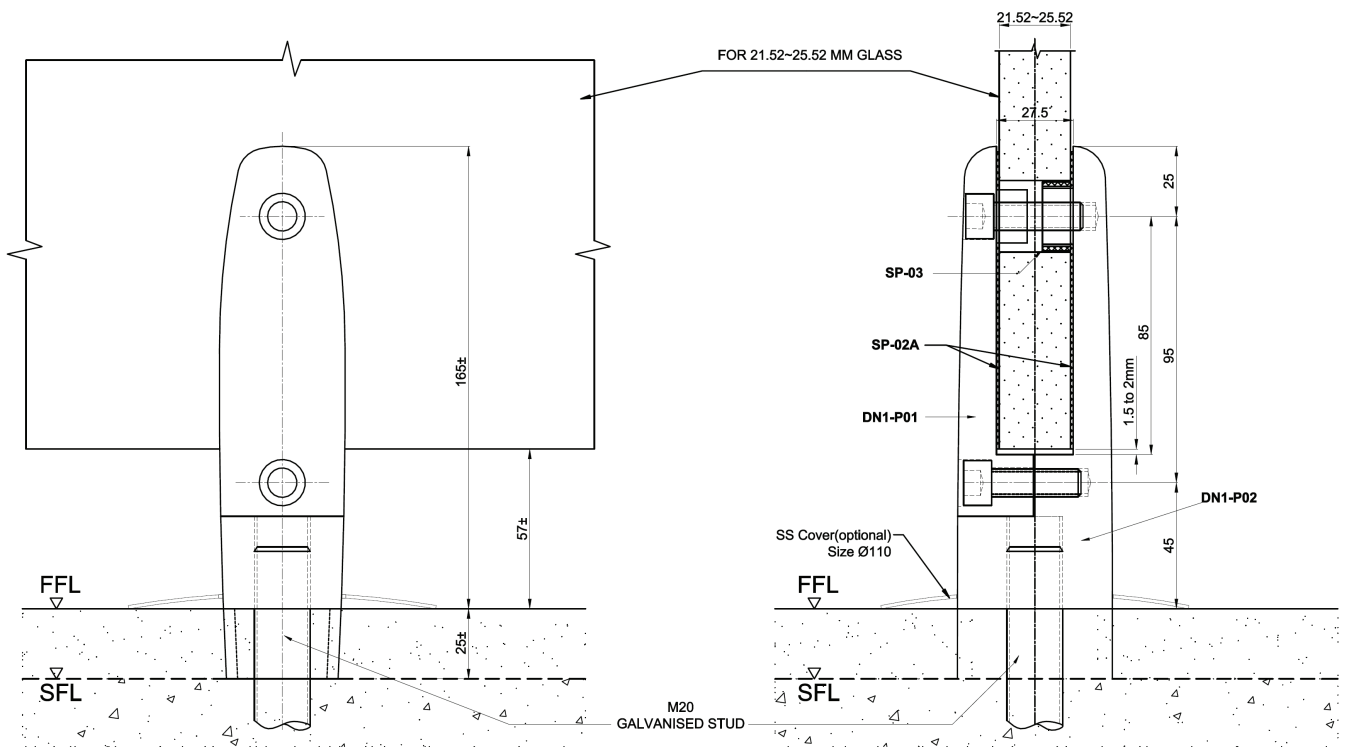


D Series



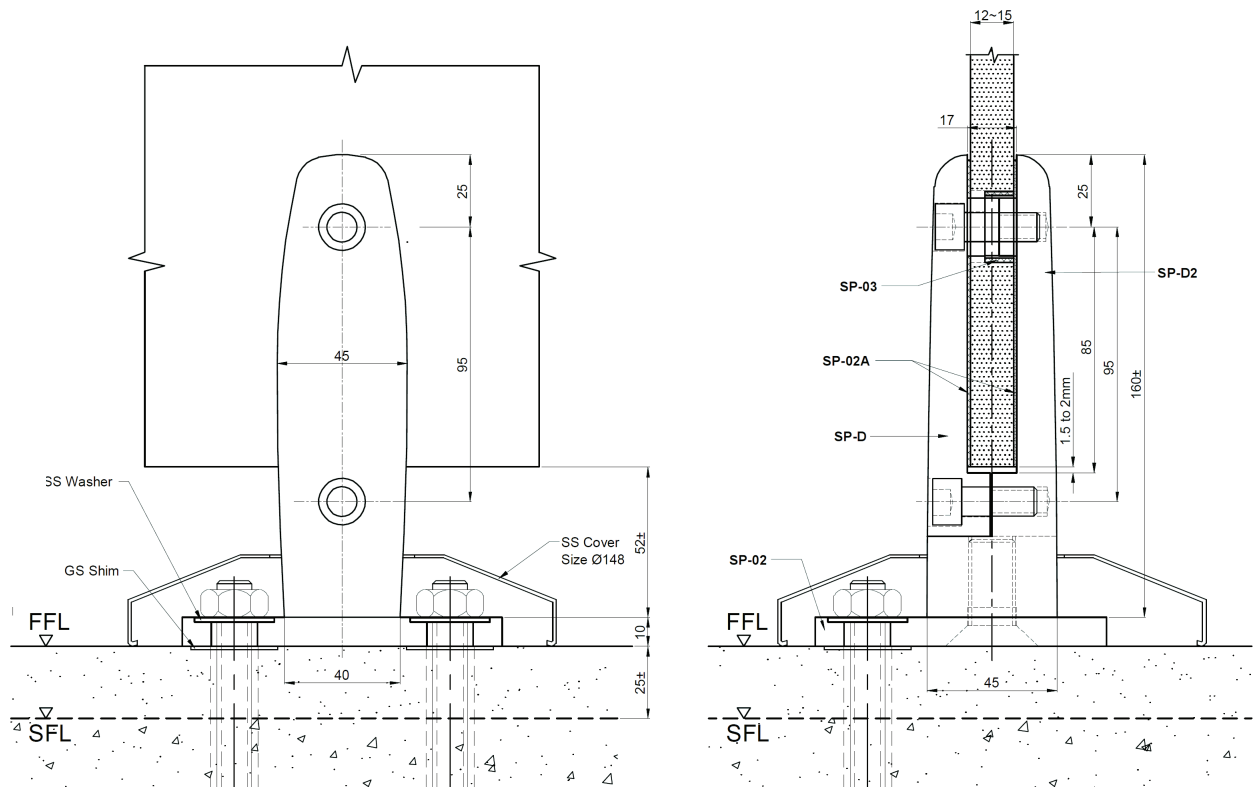
F Series

Pool Fence-Frameless Glass System D1



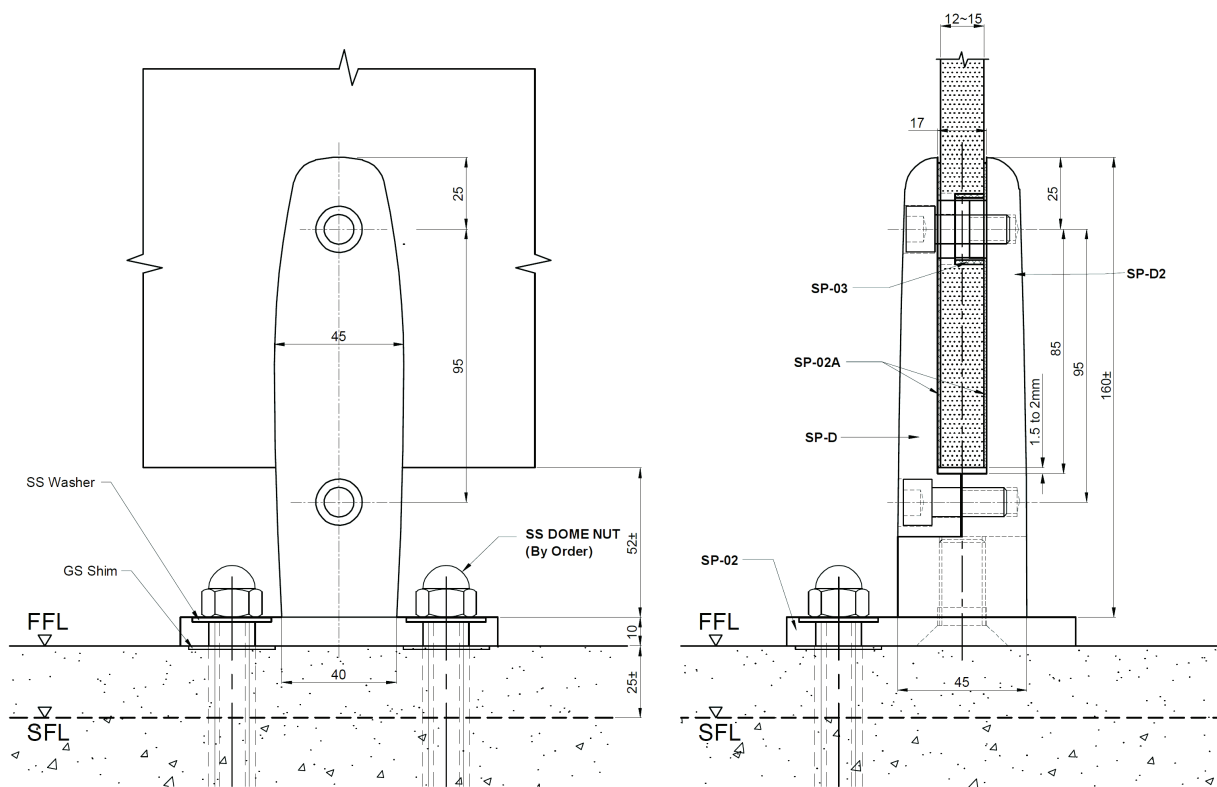
(To be fixed top the Structural Finish Level)

Pool Fence-Frameless Glass System D2-A(with cover)



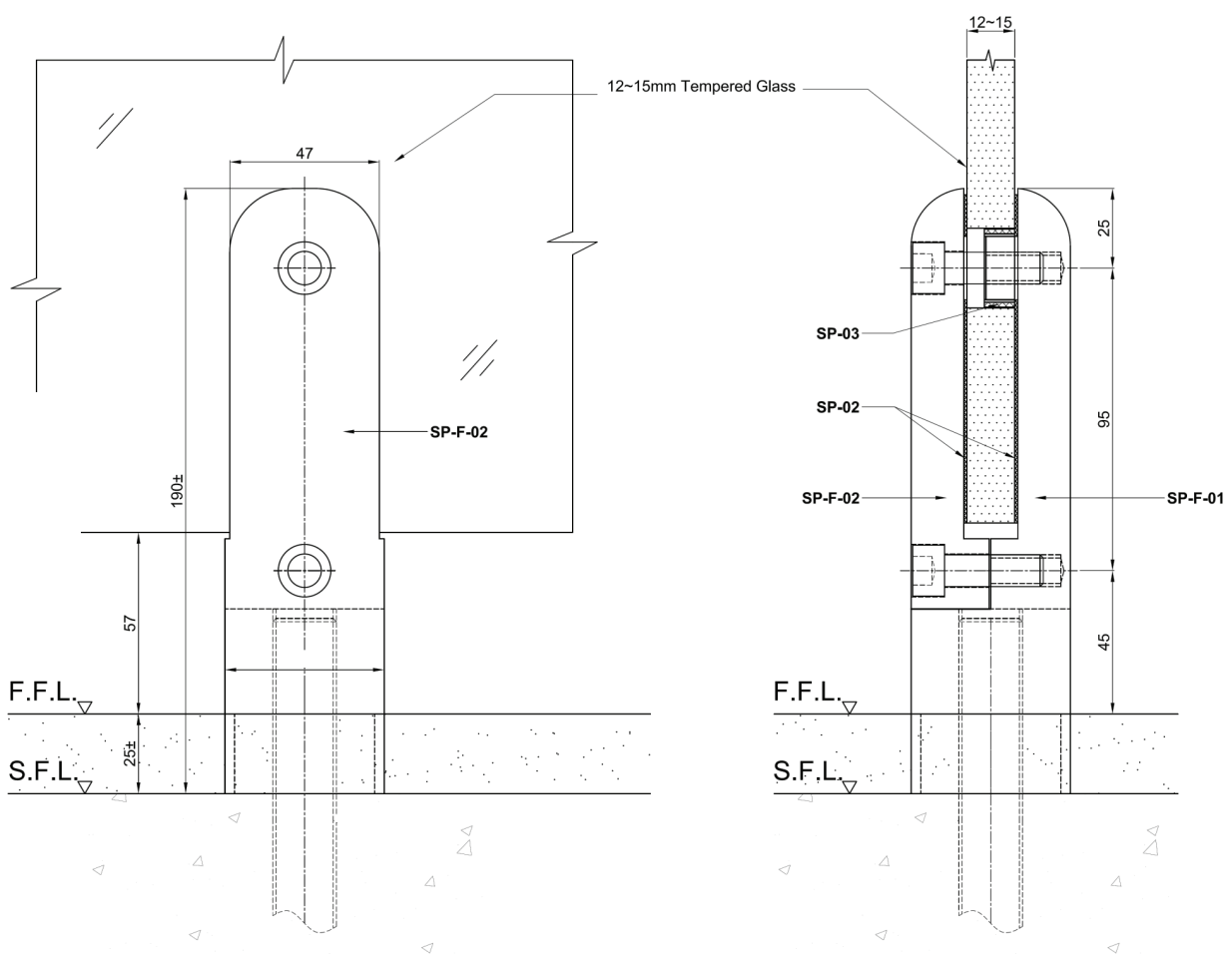
(To be fixed top the Floor Finish Level)

Pool Fence-Frameless Glass System D2-B(with domenut)



(To be fixed top the Floor Finish Level)

Pool Fence-Frameless Glass System F3



Pool Fence-Frameless Glass System F4

